

NUX



NMP-2

DUAL FOOT SWITCH

Owner's Manual 操作指南

Copyright

Copyright 2017 Cherub Technology Co. All rights reserved. NUX and NMP-2 are trademarks of Cherub Technology Co. Other product names modeled in this product are trademarks of their respective companies that do not endorse and are not associated or affiliated with Cherub Technology Co.

Accuracy

Whilst every effort has been made to ensure the accuracy and content of this manual, Cherub Technology Co. makes no representations or warranties regarding the contents.

WARNING

To reduce the risk of fire or electric shock, do not expose this appliance to rain or moisture.

CAUTION

This equipment has been tested and found to comply with the limits for a Class B digital device pursuant to Part 15 of FCC Rules. Operation is subject to the following two conditions: (1) This device may not cause harmful interference, and (2) this device must accept any interference received, including interference that may cause undesired operation.



The lightning symbol within a triangle means, "Electrical caution!" It indicates the presence of information about operating voltage and potential risks of electrical shock.



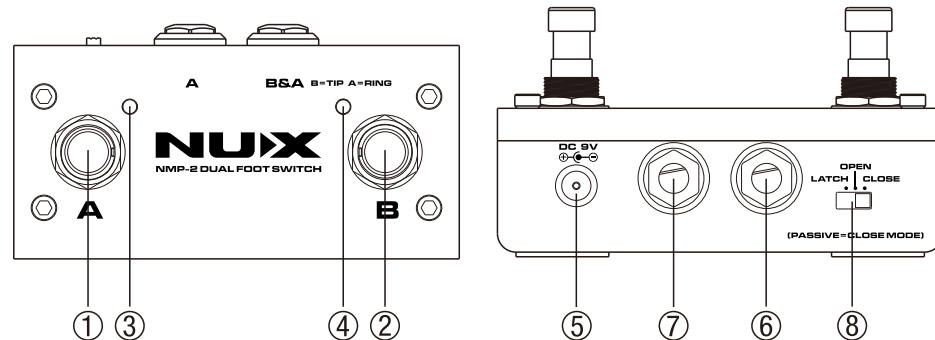
The exclamation point within a triangle means, "Caution!" Please read the information next to all caution signs.

Thank you for purchasing the NMP-2 Footswitch controller. It is a multi foot controller especially designed for arranger instruments (Keyboards , Modules , Effect pedals...etc). Using this controller you can easily active all the main functions of equipment.

Features

- This unit combines the functions of latch type and WTB-005 (momentary type) foot switches. Both of the unit's foot switches may be set to function as either a latch or momentary type (Open, Close) switch.
- You can connect to gear equipped with TRS 1/4" (6.35mm) phone jacks using a connection cable with stereo 1/4" (6.35mm) phone plugs at both ends.
- The NMP-2 can be used with Loop Core Deluxe for phrase up/down.
- It also could be used while close mode even passive status.

Product Description



1. Foot Switch A
Use this as a switch for the device connected to Jack A or Jack B&A. Refer to "Connections."
2. Foot Switch B
Use this as a switch for the device connected to Jack B or Jack B&A. Refer to "Connections."
3. Foot Switch A Indicator
When foot switch A is set to the latch type function, this indicator alternately lights or goes out each time

Product Description

the foot switch is pressed. When foot switch A is set to the momentary type function(open or close), this indicator lights only while the foot switch is held down.

4. Foot Switch B Indicator

When foot switch B is set to the latch type function, this indicator alternately lights or goes out each time the foot switch is pressed. When foot switch B is set to the momentary type function(open or close), this indicator lights only while the foot switch is held down.

5. DC Jack

The NMP-2 uses 9V (Positive outside, Negative inside) 2.5mm plug to active Latch mode, open mode(also close mode with indicator).

6. Jack A

Connect the device being controlled with foot switch A here. Use a connection cable with 1/4" (6.35mm) phone plugs at both ends.

7. Jack B&A

Connect devices equipped with TRS or TS 1/4" (6.35mm) phone jacks here. Use a connection cable with stereo or mono 1/4" (6.35mm) phone plugs at both ends.

Product Description

*TS(mono) is for foot switch B only. If you want to operate foot switch A and foot switch B at the same time, you must use TRS(stereo) phone plugs here.

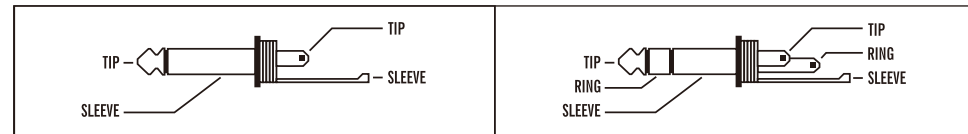
8. Mode Switch

This sets the functions for foot switch A and B to LATCH or Momentary(Open , Close).

*After referring the owner's manual for the device you are connecting, switch this to the appropriate setting.

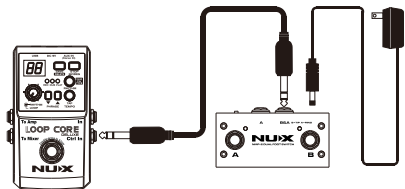
Open mode means while you hold the foot switch, the Tip and Sleeve is opened.(using mono cable)

Close mode means while you hold the foot switch, the Tip and Sleeve is closed.(using mono cable)



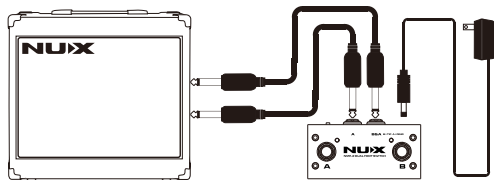
Connections

Connection to Jack B&A



*When connecting to Jack B&A, do not plug any device into Jack A. This may result in damage and/or malfunction.

Connection to Jack A or B



Precautions

- Environment:
 1. Do NOT use the pedal in high temperature, or high humidity, or subzero environments.
 2. Do NOT use the pedal in the direct sunlight.
- Please do NOT disassemble the pedal by yourself.
- Please keep this manual for future reference.

CE mark for European Harmonized Standards

CE Mark which is attached to our company's products of Battery mains the product is in fully conformity with the harmonized standard(s) EN 61000-6-3:2007+A1:2011 & EN 61000-6-1:2007 Under the Council Directive 2004/108/EC on Electromagnetic Compatibility.

©2017 Cherub Technology-All rights reserved. No part of this publication may be reproduced in any form without prior written permission of Cherub Technology.



www.nuxefx.com

Made in China